

SINGLE-ACTING SPRING-RETURN CYLINDERS WITH EXTERNAL THREADED BODY SERIES 14 AND 18



Single-acting cylinders with spring return and external threaded spring.

Due to their reduced overall dimensions and considerable thrust force, they can be used for single or multiple locking of parts.

They can be housed directly in the fixture or supplied on supporting bases and threaded ring nuts. They are controlled by pressure multipliers or hydraulic pumps and are used with oil only.

Series 14 comes in 6 different models and series 18 in 8 models.



TECHNICAL DATA

		SERIES 14	SERIES 18
Bores	mm	Ø14; Ø22	Ø28; Ø32; Ø37; Ø57
Standard strokes	mm	5; 15; 25	for bores Ø28 and Ø32, strokes 15 and 25 for bores Ø37 and Ø57, strokes 25 and 50
Force exercised by pressure		ID 100 bar 153-380 ID 200 bar 306-760	ID 100 bar 920-3825 ID 240 bar 1230-5100
Working temperature range	°C	-10° to +70	
Recommended oil		DEXRON ATF	

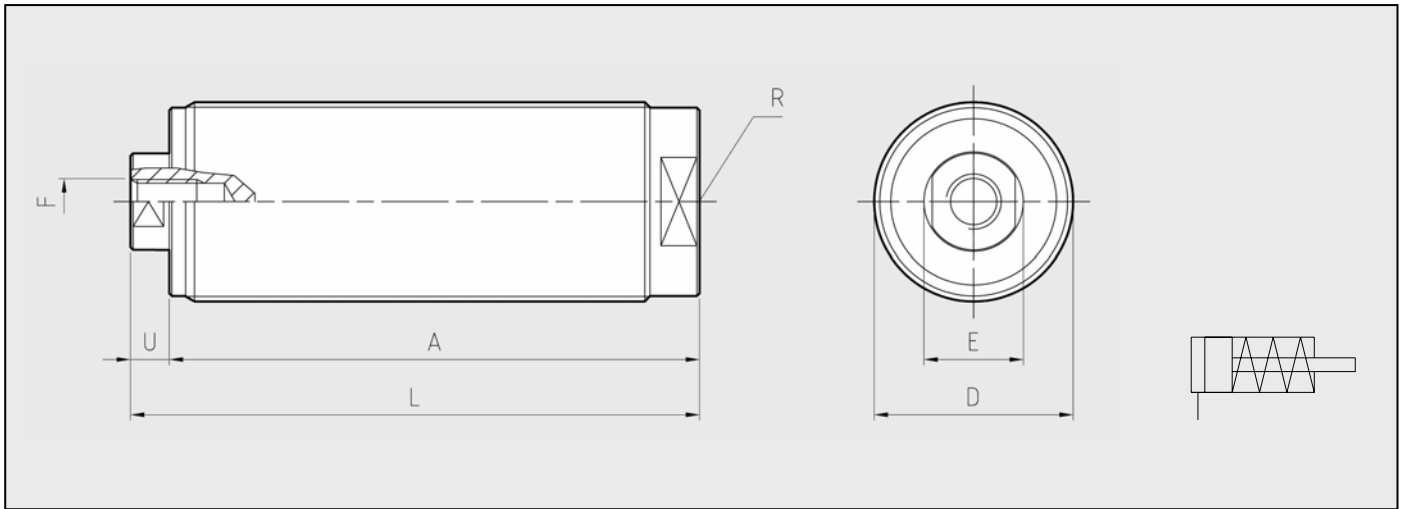
KEY TO CODES

Z52	14	30	22	05
	SERIES	THREADED OUTSIDE DIAMETER	BORE	STROKE (MM)
	14	20 30	14 22	05 15 25
	18	36 40 48 68	28 32 37 57	15 25 25 50

SINGLE-ACTING SPRING-RETURN CYLINDERS WITH EXTERNAL THREADED BODY SERIES 14 AND 18



CHARACTERISTICS AND DIMENSIONS



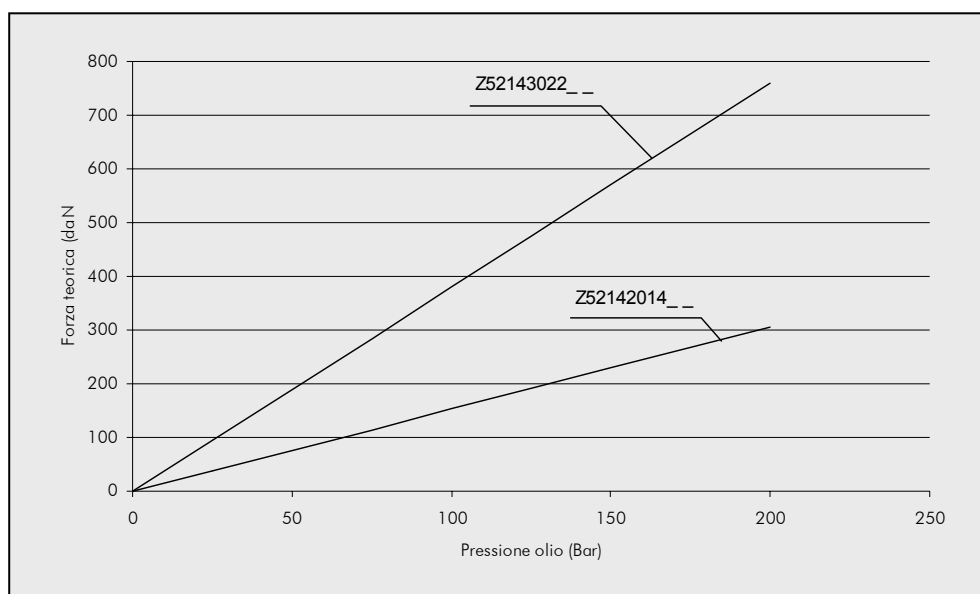
ITEM CODE	FORCE (daN)		SURFACE AREA (cm ²)	VOLUME (cm ³)	STROKE (mm)	DIMENSIONS (mm)						
	100 BAR	200BAR				A	D	E	F	L	U	R(Oil inlet)
Z5214201405 Z5214201415 Z5214201425	153	306	1.53	0.76	5	46	M 20 x 1.5	14	M 6 x 1	52	6	1/8G
2.30				15	77	83						
3.80				25	104	110						
Z5214302205 Z5214302215 Z5214302225	380	760	3.80	1.90	5	57	M 30 x 1.5	22	M 8 x 1.25	64	7	1/8G
5.70				15	83	90						
9.50				25	110	117						

ITEM CODE	FORCE (daN)		SURF. AREA (cm ²)	VOLUME (cm ³)	STROKE (mm)	DIMENSIONS (mm)						
	150 BAR	240BAR				A	D	E	F	L	U	R(Oil inlet)
Z5218362815 Z5218362825	920	1475	6.15	9.20	15	73	M 36 x 1.5	18	M 8 x 12 (depth)	80	7	1/8G
15.40				96		103						
Z5218403215 Z5218403225	1200	1925	8.03	12.00	25	76	M 40 x 1.5	18	M 10 x 12 (depth)	83	7	1/4G
20.00				99		106						
Z5218483725 Z5218483750	1610	2575	10.74	26.80	25	99	M 48 x 1.5	25	M 12 x 15 (depth)	107	8	3/8G
53.70				133		141						
Z5218685725 Z5218685750	3825	6120	25.50	63.80	50	130	M 68 x 2	25	M 12 x 15 (depth)	138	8	3/8G
127.60				160		168						

SINGLE-ACTING SPRING-RETURN CYLINDERS WITH EXTERNAL THREADED BODY SERIES 14 AND 18



FORCE/PRESSURE DIAGRAM
SERIES 14



FORCE/PRESSURE DIAGRAM
SERIES 18

